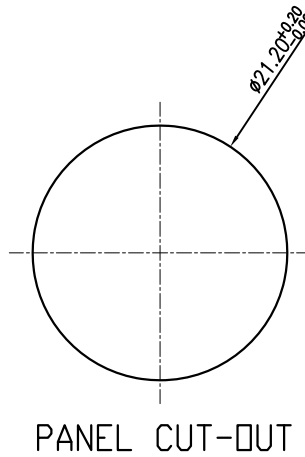
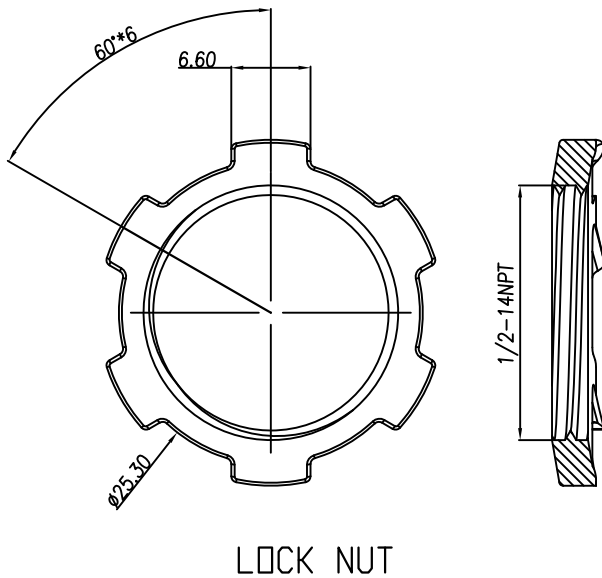
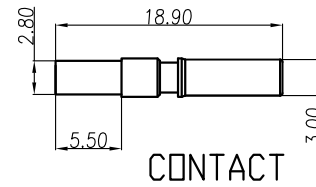
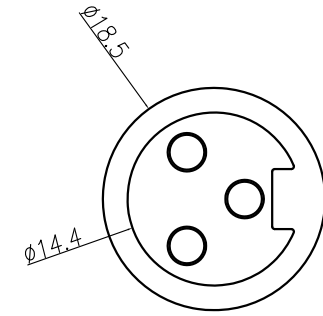
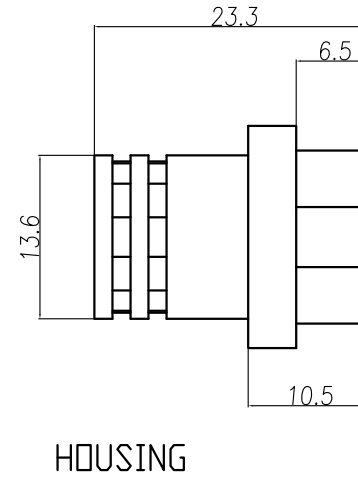
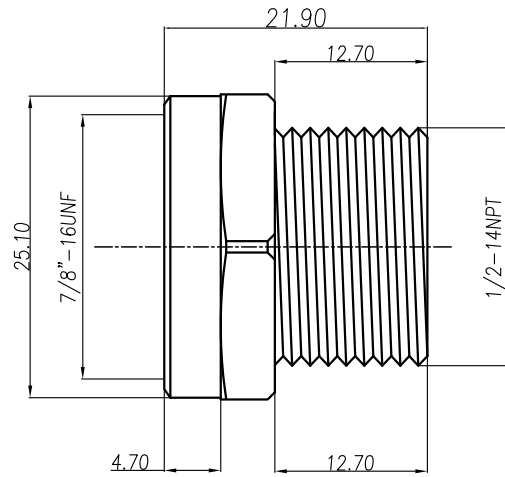
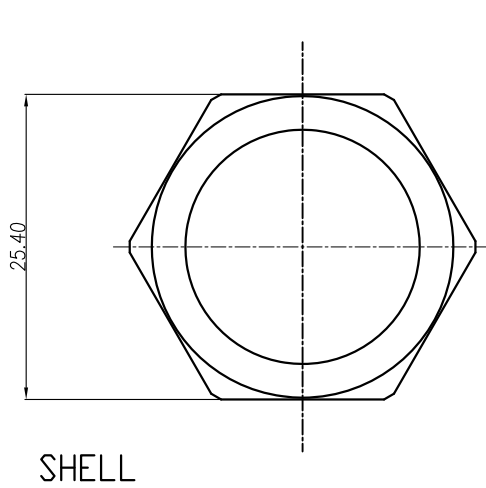


This document is the property of Nian-Yeong Corporation and is delivered on the express condition that it is not to be disclosed, reproduced or used, in whole or in part, for manufacture or sale by anyone other than Nian-Yeong Corporation without its prior consent, and that no right is granted to disclose or to use any information in this document.

CUSTOMER DRAWING

REV.	DESCRIPTION	APPROVED BY	DATE	ECN NO.
A	RELEASE	Fido Weng	26/03/14'	
B				
C				



- MATERIAL :
 - 1-1. HOUSING : TPU ; COLOR : BLACK
 - 1-2. CONTACT : BRASS
 - 1-3. SHELL : BRASS
 - 1-4. NUT : IRON
- FINISH :
 - 2-1. CONTACT : GOLD PLATED OVER ALL
 - 2-2. NUT : NICKEL PLATED OVER ALL
- ELECTRICAL SPECIFICATION :
 - 3-1. Rated current : 20A
 - 3-2. Rated Voltage : 250V
 - 3-3. Water proof : IP68
- Environmental :
 - 4-1. Operation Temperature : -40 °C~105°C

DRAWN	Mark Kao	APP'D	Ku Chou	UNIT	mm	TOLERANCE	NIAN YEONG ENTERPRISE		TITLE	7/8 3P (F) 後鎖夾線式			SHEET
CHK'D	Emily Suen			SCALE	1:1	.x ±0.25 .xx ±0.20 .xxx ±0.10 .xxxx ±0.03 ANGULA ±1°	年永實業有限公司		PART NO.	WP-03F2-42-11	DWG NO.	QC6620	VERSION A