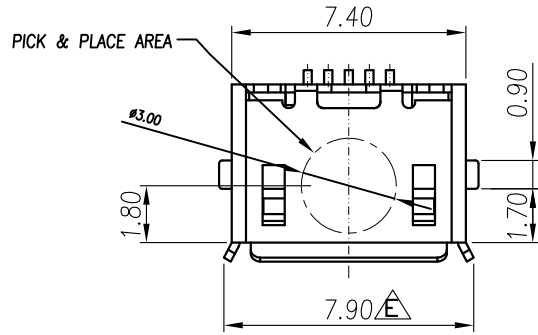


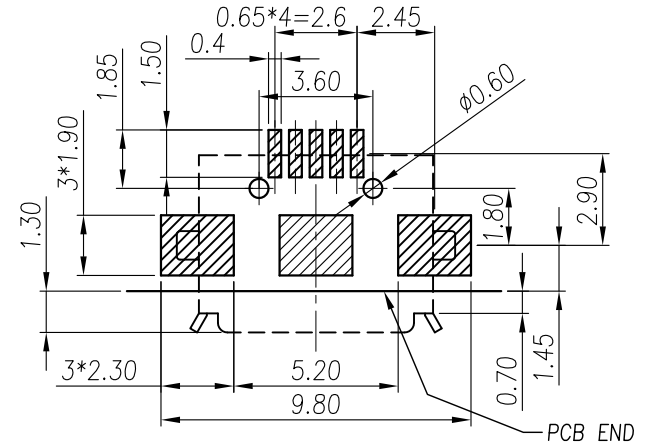
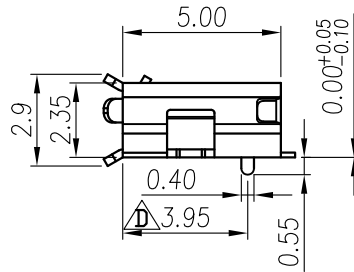
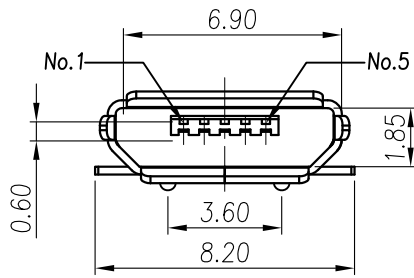
This document is the property of Nian-Yeong Corporation and is delivered on the express condition that it is not to be disclosed, reproduced or used, in whole or in part, for manufacture or sale by anyone other than Nian-Yeong Corporation without its prior consent, and that no right is granted to disclose or to use any information in this document.

CUSTOMER DRAWING

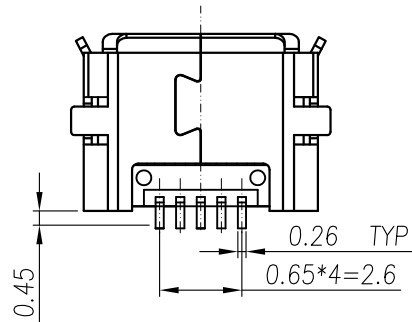
REV.	DESCRIPTION	APPROVED BY	DATE	ECN NO.
<u>C</u>	ADD NEW P/N IN TABLE A	Fido Weng	04/10/07*	
<u>D</u>	MODIFY DIM.	Fido Weng	04/12/08*	ECN08022
<u>E</u>	修改尺寸	Emily Suen	30/08/12*	



1. MATERIAL :
 1-1. HOUSING : LCP UL94V-0 ; COLOR : BLACK
 1-2. CONTACT : PHOSPHOR BRONZE.
 1-3. SHELL : STAINLESS STEEL
2. FINISH :
 2-1. CONTACT : SEE TABLE A
 2-2. SHELL : SEE TABLE A



RECOMMEND P.C.B LAYOUT



A TABLE A

MU-05F4-70	GOLD FLASH/ MATTE TIN 60u"
MU-05F4-30	GOLD 15u" / MATTE TIN 60u"
MU-05F4-31	GOLD 10u" / MATTE TIN 60u"
P/N	PLATED

DRAWN	Jen Xie	APP'D	Fido Weng	UNIT	mm	TOLERANCE	NIAN YEONG ENTERPRISE 年永實業有限公司		TITLE	MICRO USB 5PIN (F) B TYPE 加定位柱			SHEET
CHK'D	Emily Suen			SCALE	1:1	.x ±0.10 .xx ±0.05 .xxx ±0.03 .xxxx ±0.01 ANGULA ±1°			PART NO.	SEE TABLE A	DWG NO.	QC3039	1/2 VERSION E

This document is the property of Nian-Yeong Corporation and is delivered on the express condition that it is not to be disclosed, reproduced or used, in whole or in part, for manufacture or sale by anyone other than Nian-Yeong Corporation without its prior consent, and that no right is granted to disclose or to use any information in this document.

CUSTOMER DRAWING

REV.	DESCRIPTION	APPROVED BY	DATE	ECN NO.
C	ADD NEW P/N IN TABLE A	Fido Weng	04/10/07	
D	MODIFY DIM.	Fido Weng	04/12/08	ECN08022
E	修改尺寸	Emily Suen	30/08/12	

步驟一:

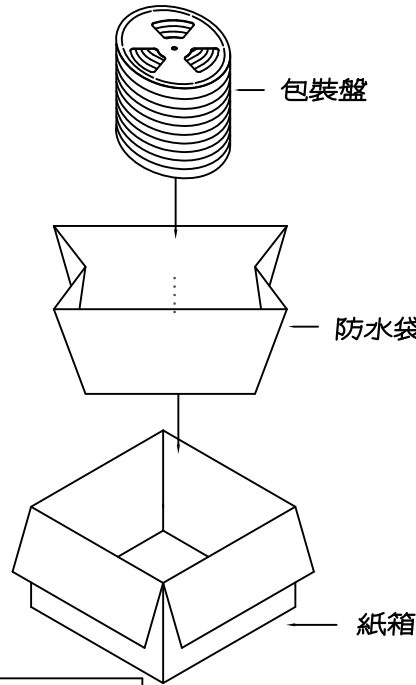
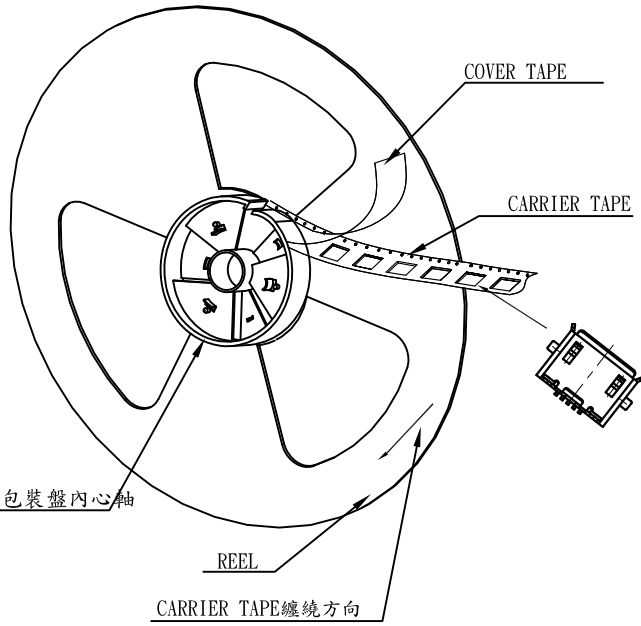
- 將成品一一放入包裝盤內,依同一方向置入.
- 包裝方式,如圖所示.
- 一個包裝盤內放1500pcs.

步驟二:

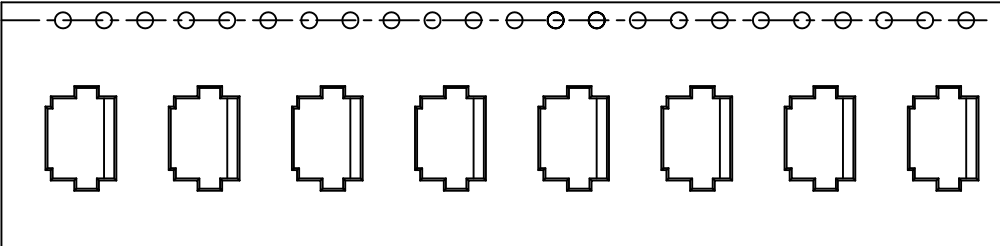
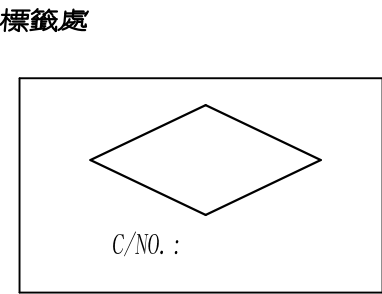
- 一個紙箱可以裝10個包裝盤.
- 每盤1500pcs,每箱15000pcs.
- 將包裝盤放入防水袋中,包裝完後再封箱.

步驟三:

- 用膠帶將紙箱封實.
- 將標籤貼於紙箱上.



ITEM NO:
 QTY: PGS
 N. W. : KG
 G. W. : KG
 MEAS:



NOTE:

- 若有未裝滿之零數箱,必須以緩衝材塞滿.
- 在搬運過程中要輕拿輕放.
- 載運輸中不可堆放過多,不可有重壓現象.
- 在裝滿產品後,必須空留帶前和帶後15格以上,然後用紙膠布貼上.
- 上帶在貼下帶時必須平整,且黏貼處不要出現氣泡.

DRAWN	Jen Xie	APP'D	Fido Weng	UNIT	mm	TOLERANCE		TITLE	MICRO USB 5PIN (F) B TYPE加定位柱			SHEET	2
CHK'D	Emily Suen	SCALE	1:1			.x ±0.10 .xx ±0.05 .xxx ±0.03 .xxxx ±0.01 ANGULA ±1°		PART NO.	SEE TABLE A	DWG NO.	QC3039	VERSION	E

NIAN YEONG ENTERPRISE
 年永實業有限公司