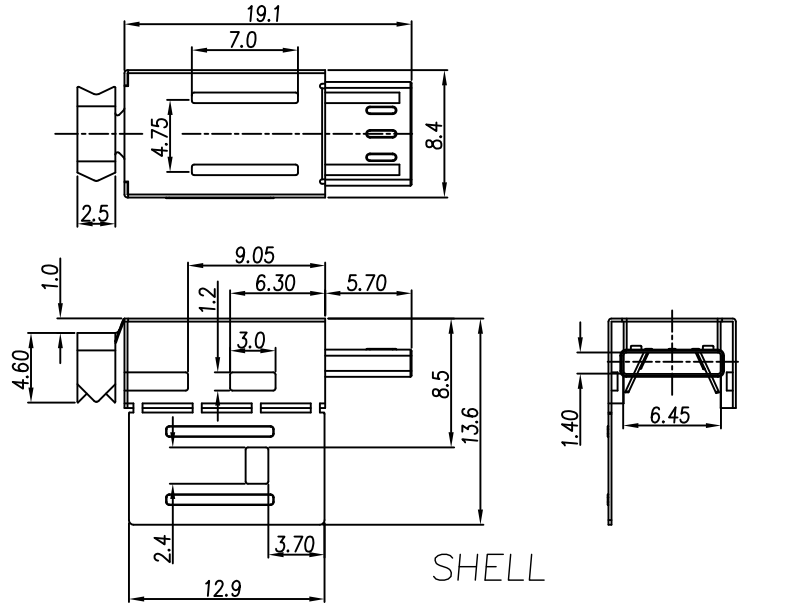


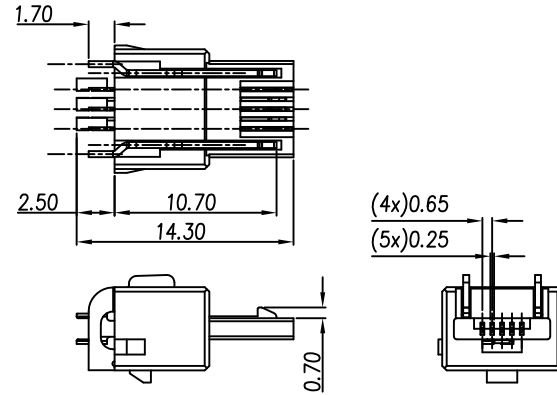
This document is the property of Nian-Yeong Corporation and is delivered on the express condition that it is not to be disclosed, reproduced or used, in whole or in part, for manufacture or sale by anyone other than Nian-Yeong Corporation without its prior consent, and that no right is granted to disclose or to use any information in this document.

# CUSTOMER DRAWING

REV.	DESCRIPTION	APPROVED BY	DATE	ECN NO.
△	RELEASE	Fido Weng	17/02/09*	
△				
△				

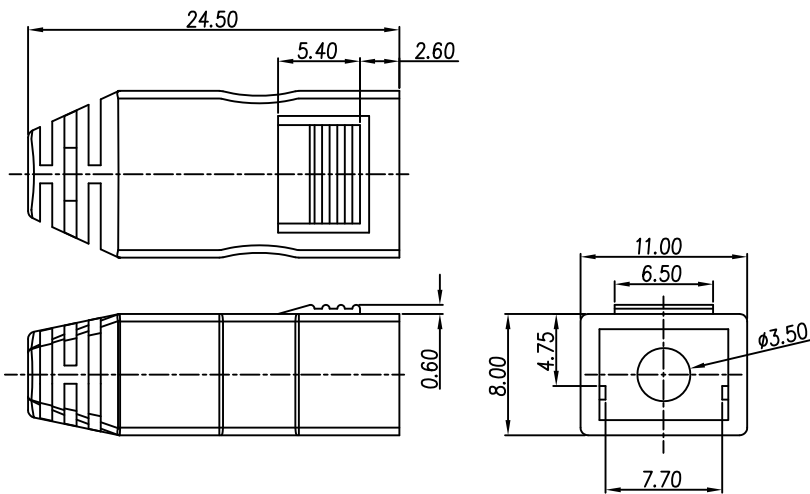


SHELL



HOUSING+PIN+LATCH

1. MATERIAL :
  - 1-1. HOUSING : NYLON ; COLOR : SEE TABLE A
  - 1-2. COVER : NYLON ; COLOR : BLACK.
  - 1-3. CONTACT : PHOSPHOR BRONZE.
  - 1-4. SHELL : STAINLESS STEEL
  - 1-5. LATCH : STAINLESS STEEL
2. FINISH :
  - 2-1. CONTACT : SEE TABLE A MIN ON CONTACT AREA, TIN 100u" MIN ON SOLDER TAILS, UNDERPLATED NICKEL OVER ALL
  - 2-2. SHELL : SEE TABLE A



COVER

TABLE A

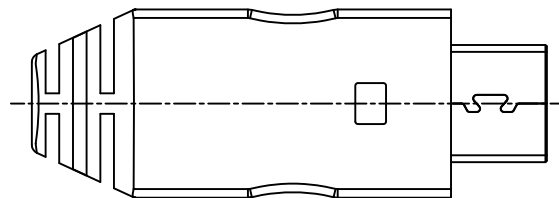
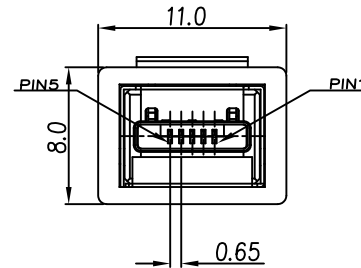
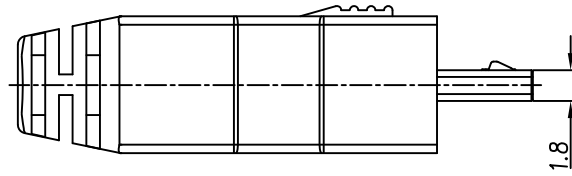
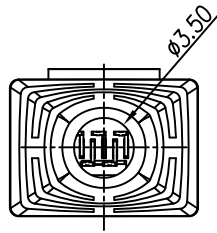
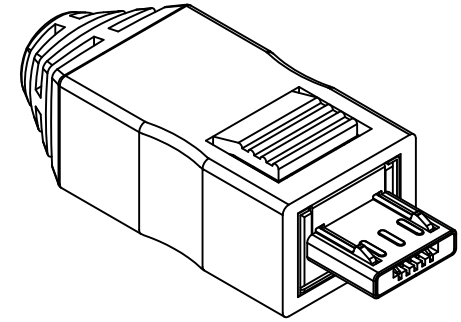
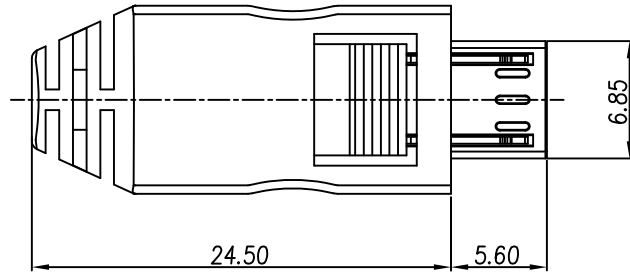
MU-05M4-11	PIN : GOLD 30u" MIN ON CONTACT AREA, BRIGHT TIN 100u" MIN ON SOLDER TAILS, UNDERPLATED NICKEL OVER ALL SHELL : OFF WITH GREASINESS	BLACK
MU-05M4-05	PIN : GOLD 15u" MIN ON CONTACT AREA, BRIGHT TIN 100u" MIN ON SOLDER TAILS, UNDERPLATED NICKEL OVER ALL SHELL : OFF WITH GREASINESS	BLACK
MU-05M4-07	PIN : GOLD 15u" MIN ON CONTACT AREA, BRIGHT TIN 100u" MIN ON SOLDER TAILS, UNDERPLATED NICKEL OVER ALL SHELL : GOLD FLASH	WHITE
P/N	DESCRIPTION	COLOR

DRAWN	Jen Xie	APP'D	Ku Chou	UNIT	mm	TOLERANCE			TITLE	MICRO USB 5PIN(M) A TYPE			SHEET
CHK'D	Emily Suen			SCALE	1:1	.x ±0.20 .xx ±0.10 .xxx ±0.05 .xxxx ±0.03 ANGULA ±1*			PART NO.	SEE TABLE A	DWG NO.	QC2548	VERSION
								年永實業有限公司				1/2	
												H	

This document is the property of Nian-Yeong Corporation and is delivered on the express condition that it is not to be disclosed, reproduced or used, in whole or in part, for manufacture or sale by anyone other than Nian-Yeong Corporation without its prior consent, and that no right is granted to disclose or to use any information in this document.

CUSTOMER DRAWING  
ASSEMBLY DRAWING

REV.	DESCRIPTION	APPROVED BY	DATE	ECN NO.
△	RELEASE	Fido Weng	17/02/09*	
△				
△				



DRAWN	Jen Xie	APP'D	Ku Chou	UNIT	mm	TOLERANCE			TITLE	MICRO USB 5PIN(M) A TYPE			SHEET	2
CHK'D	Emily Suen			SCALE	1:1	.x ±0.20 .xx ±0.10 .xxx ±0.05 .xxxx ±0.03 ANGULA ±1°			PART NO.	SEE TABLE A	DWG NO.	QC2548	VERSION	H

NIAN YEONG ENTERPRISE  
年永實業有限公司