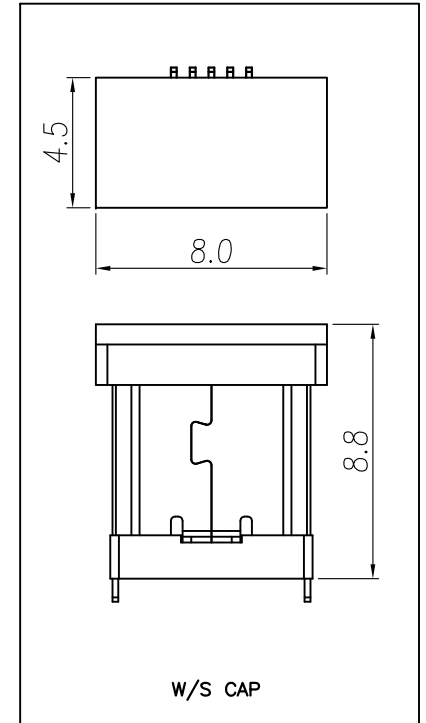
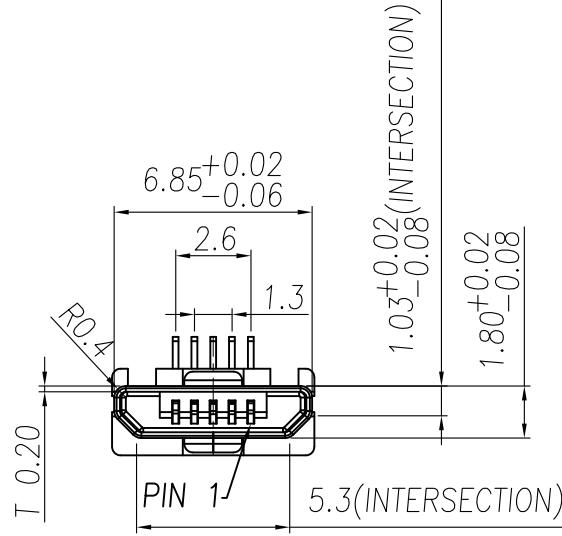
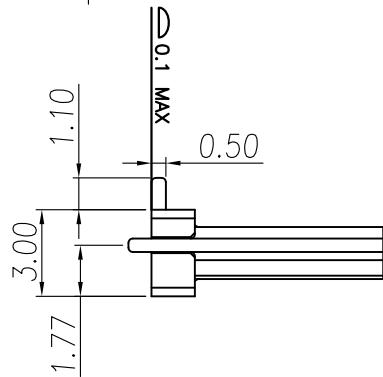
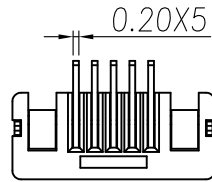
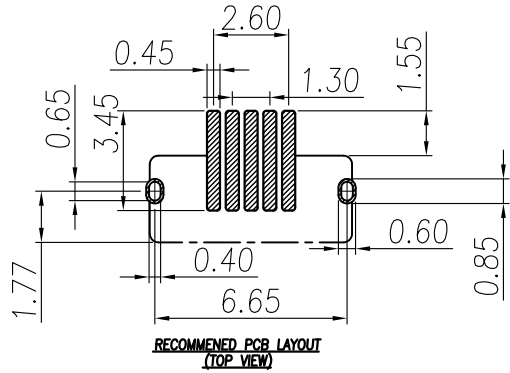


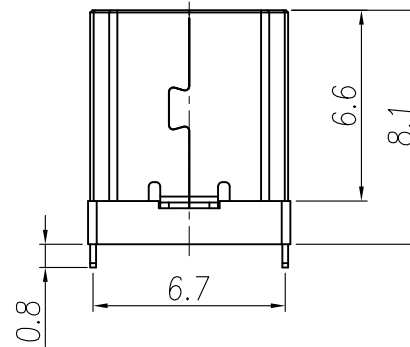
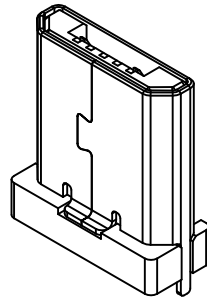
This document is the property of Nian-Yeong Corporation and is delivered on the express condition that it is not to be disclosed, reproduced or used, in whole or in part, for manufacture or sale by anyone other than Nian-Yeong Corporation without its prior consent, and that no right is granted to disclose or to use any information in this document.

CUSTOMER DRAWING

REV.	DESCRIPTION	APPROVED BY	DATE	ECN NO.
A	RELEASE	Emily Suen	30/08/12	
B				
C				



1. MATERIAL :
 - 1-1. HOUSING : LCP UL94V-0 ; COLOR : BLACK
 - 1-2. CONTACT : PHOSPHOR BRONZE
 - 1-3. SHELL : STAINLESS STEEL
2. FINISH :
 - 2-1. CONTACT : GOLD FLASH ON CONTACT AREA
MATTE TIN ON OTHER AREA
 - 2-2. SHELL : 可焊鍍鐵
3. ENVIRONMENTAL
 - 3-1. OPERATING TEMPERATURE RANGE: -20°C ~ +85°C
 - 3-2. STORAGE TEMPERATURE RANGE: -40°C ~ +85°C
4. SPEC :
 - 4-1. CURRENT RATING : PIN1 & 5 1.8A(MAX) OTHER 0.5A
PER PIN 1A



DRAWN	Emily Suen	APPEND	Ku Chou	UNIT	mm	TOLERANCE		TITLE	MICRO USB 5PIN(M) 贴片 SMT(WO LATCH)			SHEET
CHOKED	Emily Suen			SCALE	1:1	.x ±0.20 .xx ±0.10 .xxx ±0.05 .xxxx ±0.03 ANGULA ±1		PART NO.	MU-05M4-15	DWG NO.	QC5740	VERSION
NIAN YEONG ENTERPRISE 年永實業有限公司												

This document is the property of Nian-Yeong Corporation and is delivered on the express condition that it is not to be disclosed, reproduced or used, in whole or in part, for manufacture or sale by anyone other than Nian-Yeong Corporation without its prior consent, and that no right is granted to disclose or to use any information in this document.

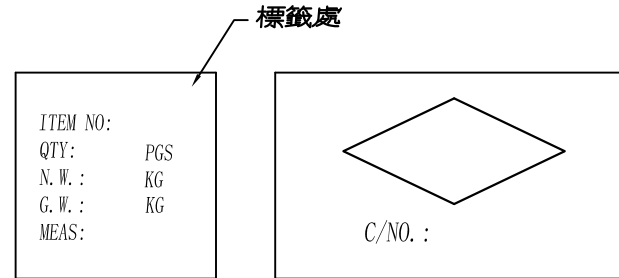
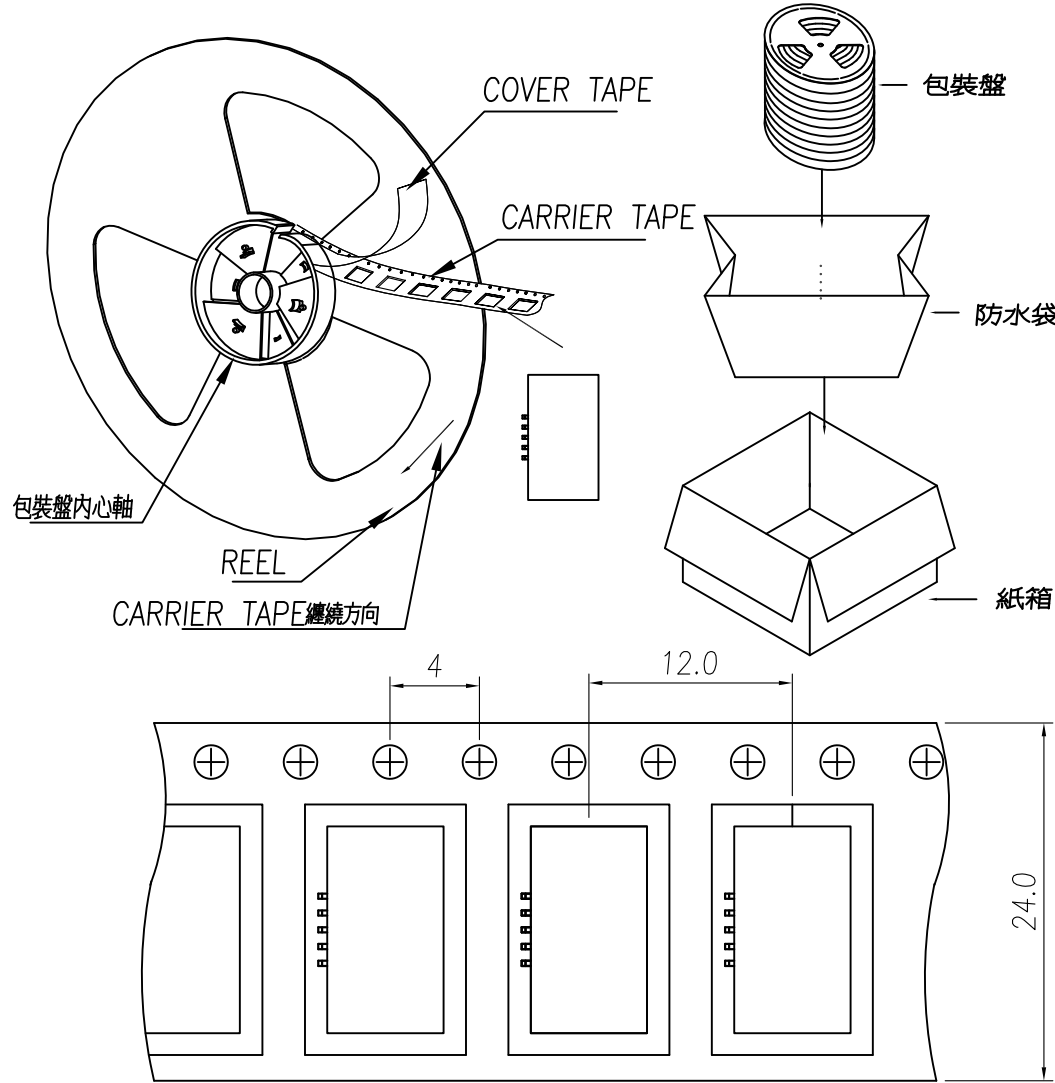
CUSTOMER DRAWING

REV.	DESCRIPTION	APPROVED BY	DATE	ECN NO.
A	RELEASE	Fido Weng	30/08/12	
B				
C				

- 步驟一:
- 將成品一一放入包裝盤內,依同一方向置入。
 - 包裝方式,如圖所示。
 - 一個包裝盤內600pcs.

- 步驟二:
- 一個紙箱可以裝10個包裝盤。
 - 每盤600pcs,每箱6000pcs.
 - 將包裝盤放入防水袋中,包裝完後再封箱。

- 步驟三:
- 用膠帶將紙箱封實。
 - 將標籤貼於紙箱上。



- NOTE:
- 若有未裝滿之零數箱,必須以緩衝材塞滿。
 - 在搬運過程中要輕拿輕放。
 - 載運輸中不可堆放過多,不可有重壓現象。
 - 在裝滿產品後,必須空留帶前和帶後15格以上,然後用紙膠布貼上。
 - 上帶在貼下帶時必須平整,且黏貼處不要出現氣泡。

DRAWN	Jen Xie	APPEND	Emily Suen	UNIT	mm	TOLERANCE		TITLE	MICRO USB 5PIN(M) 直立式 SMT(WO LATCH)			SHEET	2/2
CHOKED	Emily Suen			SCALE	1:1	.x ±0.20 .xx ±0.10 .xxx ±0.05 .xxxx ±0.03 ANGULA ±1°		PART NO.	PK-1-MU-05M4-15	DWG NO.	QC5740	VERSION	A

NIAN YEONG ENTERPRISE
年永實業有限公司