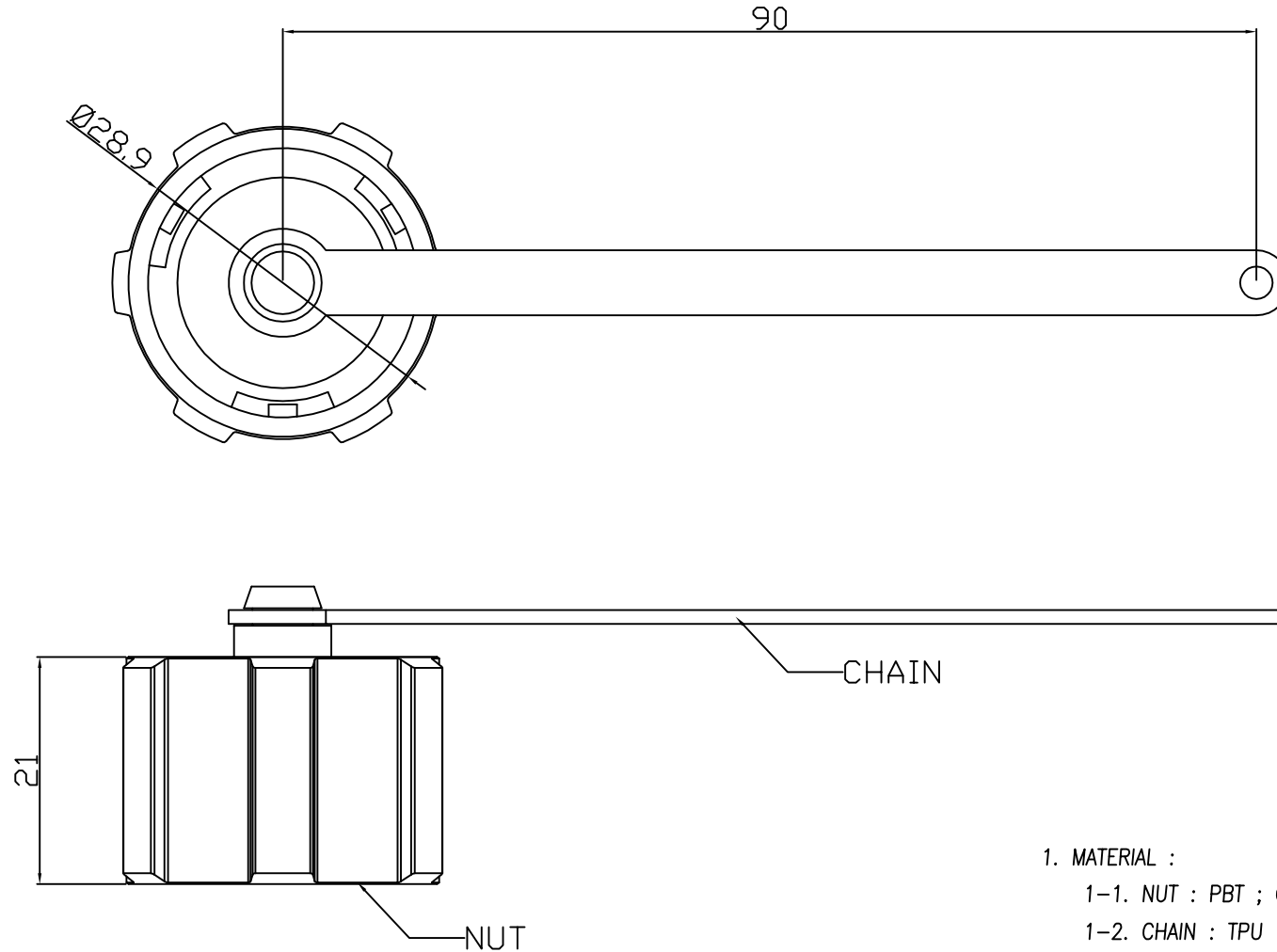


This document is the property of Nian-Yeong Corporation and is delivered on the express condition that it is not to be disclosed, reproduced or used, in whole or in part, for manufacture or sale by anyone other than Nian-Yeong Corporation without its prior consent, and that no right is granted to disclose or to use any information in this document.

CUSTOMER DRAWING

REV.	DESCRIPTION	APPROVED BY	DATE	ECN NO.
A				
B				
C				

* Water proof: IPX7



1. MATERIAL :
 - 1-1. NUT : PBT ; COLOR : BLACK
 - 1-2. CHAIN : TPU
 - 1-3. O-RING : SILICONE (ø21.5*ø17 T=3.2)
2. ENVIRONMENTAL:
 - 2-1. OPERATION TEMPERATURE : -20°C~85°C

DRAWN	Yeh Chou	APPEND	Fido Weng	UNIT	mm	TOLERANCE		NIAN YEONG ENTERPRISE 年永實業有限公司	TITLE	防水USB防塵蓋(含塑膠鏈條)			SHEET	1
CHOKED	Emily Suen			SCALE	1:1	.x ±0.20 .xx ±0.10 .xxx ±0.05 .xxxx ±0.03 ANGULA ±1°			PART NO.	NY-US326-01	DWG NO.	QC9972	VERSION	A