

This document is the property of Nian-Yeong Corporation and is delivered on the express condition that it is not to be disclosed, reproduced or used, in whole or in part, for manufacture or sale by anyone other than Nian-Yeong Corporation without its prior consent, and that no right is granted to disclose or to use any information in this document.

CUSTOMER DRAWING

REV.	DESCRIPTION	APPROVED BY	DATE	ECN NO.
A				
B	圖面整合	Ku Chou	2018/01/03	
C				

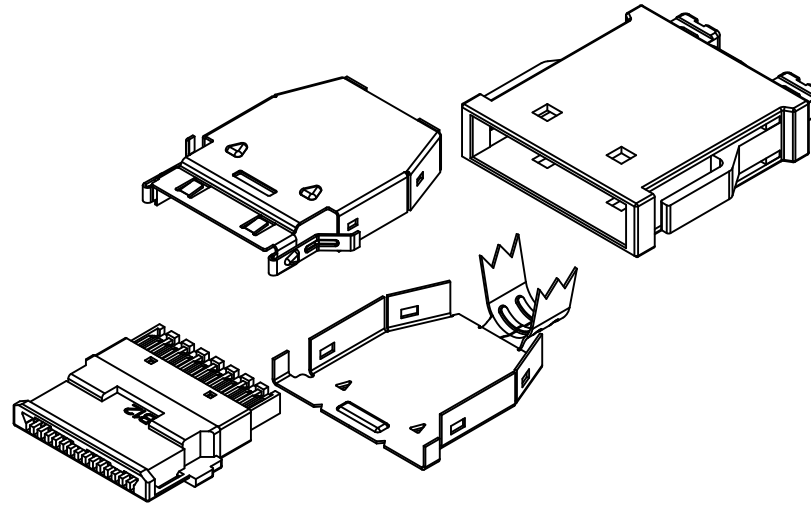
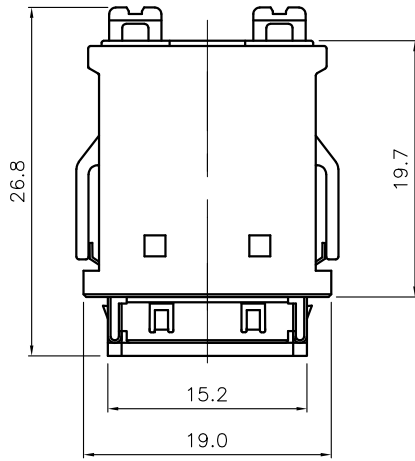


TABLE A

	P/N	DESCRIPTION
1	PC-15M2-24	PCMCIA 15P (M) A TYPE(Without SR)
2	PC-15M2-08	PCMCIA 15P (M) A23 TYPE(Without SR)
3	PC-15M2-15	PCMCIA 15P (M) A13 TYPE(Without SR)
4	PC-15M2-26	PCMCIA 15P (M) A12 TYPE(Without SR)
5	PC-15M2-44	PCMCIA 15P (M) B TYPE(Without SR)
6	PC-15M2-46	PCMCIA 15P (M) B23 TYPE(Without SR)
7	PC-15M2-34	PCMCIA 15P (M) B13 TYPE(Without SR)
8	PC-15M2-07	PCMCIA 15P (M) B12 TYPE(Without SR)

- MATERIAL :
 - HOUSING : NYLON46 UL94V-0 ; COLOR : BLACK
 - CONTACT : PHOSPHOR BRONZE
 - INSERT : PBT UL94V-0 ; COLOR : BLACK
 - METAL UP COVER : STAINLESS STEEL
 - METAL DOWN COVER : STAINLESS STEEL
 - PLASTIC COVER : NYLON
- FINISH :
 - CONTACT : CONTACT AREA :5u" MIN GOLD PLATE
SOLDER AREA : TIN
UNDER PLATE : NICKEL
- ELECTRICAL SPECIFICATION :
 - Rated current : 0.5A
 - Voltage :125V
- Environmental :
 - Operation Temperature : -20 ℃~85℃

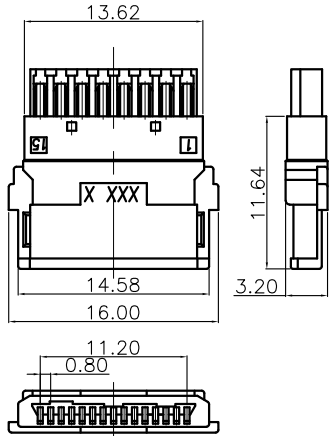
DRAWN	Emily Suen	APP'D	Ku Chou	UNIT	mm	TOLERANCE		TITLE	SEE TABLE A			SHEET
CHK'D	Emily Suen			SCALE	1:1	.x ±0.20 .xx ±0.10 .xxx ±0.05 .xxxx ±0.03 ANGULA ±1°		PART NO.	SEE TABLE A	DWG NO.	QC0697	VERSION
												B

This document is the property of Nian-Yeong Corporation and is delivered on the express condition that it is not to be disclosed, reproduced or used, in whole or in part, for manufacture or sale by anyone other than Nian-Yeong Corporation without its prior consent, and that no right is granted to disclose or to use any information in this document.

CUSTOMER DRAWING

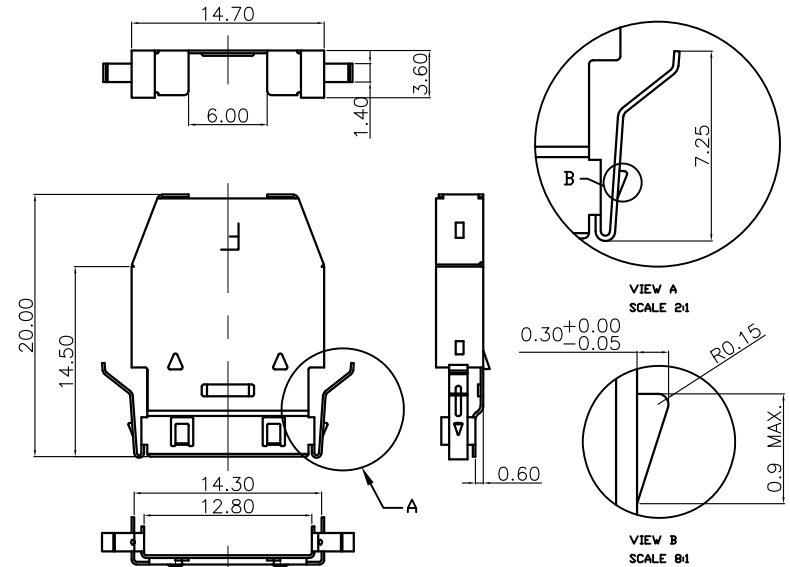
REV.	DESCRIPTION	APPROVED BY	DATE	ECN NO.
A				
B	圖面整合	Ku Chou	2018/01/03	
C				

HOUSING+CONTACT+INSERT

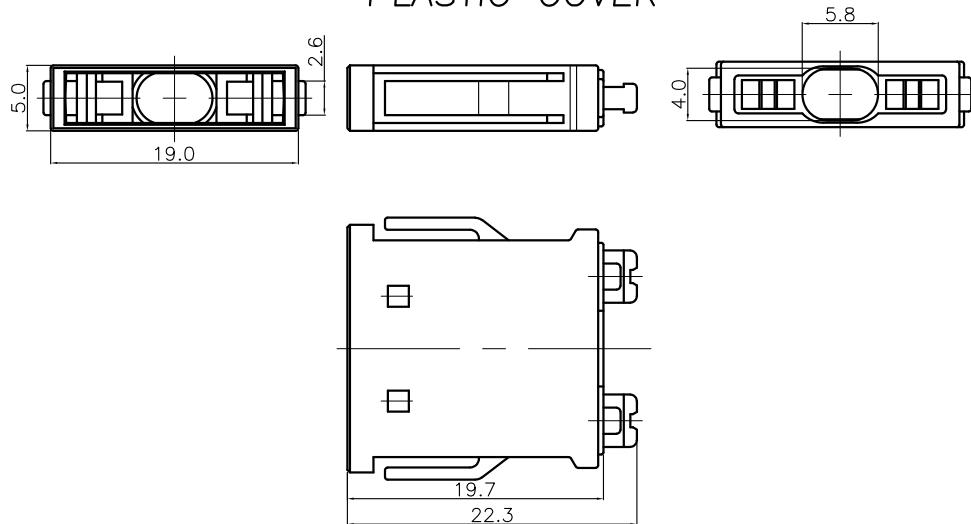


<p>B Type</p> <p>NY-PC107</p>	<p>A Type</p> <p>NY-PC085</p>
<p>B23 Type</p> <p>NY-PC364-01</p>	<p>A23 Type</p> <p>NY-PC182</p>
<p>B13 Type</p> <p>NY-PC147</p>	<p>A13 Type</p> <p>NY-PC113</p>
<p>B12 Type</p> <p>NY-PC111</p>	<p>A12 Type</p> <p>NY-PC097</p>

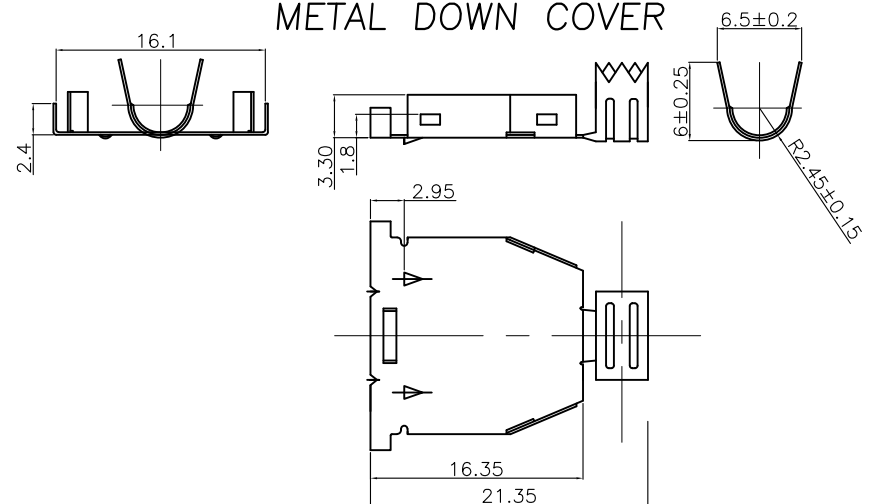
METAL UP COVER



PLASTIC COVER



METAL DOWN COVER



DRAWN	Emily Suen	APP'D	Ku Chou	UNIT	mm	TOLERANCE		<p>NIAN YEONG ENTERPRISE 年永實業有限公司</p>	TITLE	SEE TABLE A			SHEET
CHK'D	Emily Suen			SCALE	1:1	.x ±0.20 .xx ±0.10 .xxx ±0.05 .xxxx ±0.03 ANGULA ±1°			PART NO.	SEE TABLE A	DWG NO.	QC0697	VERSION