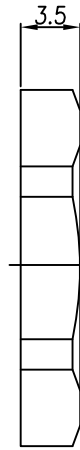
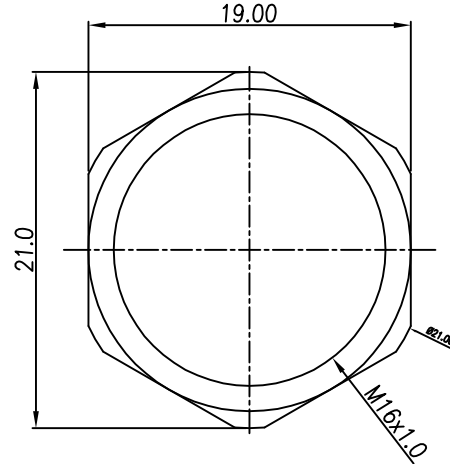
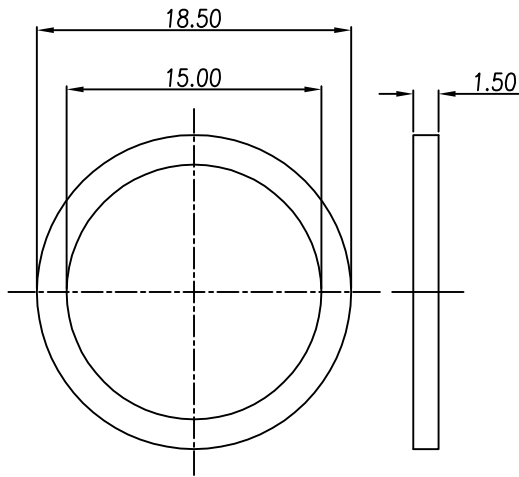
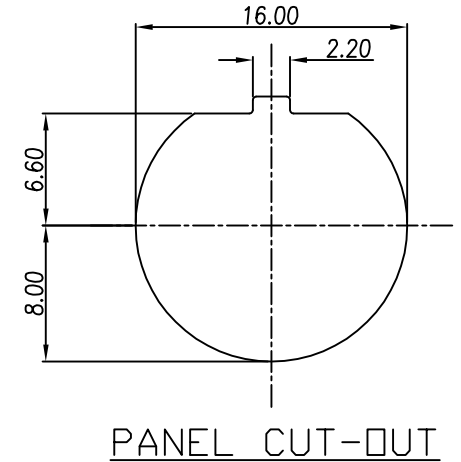
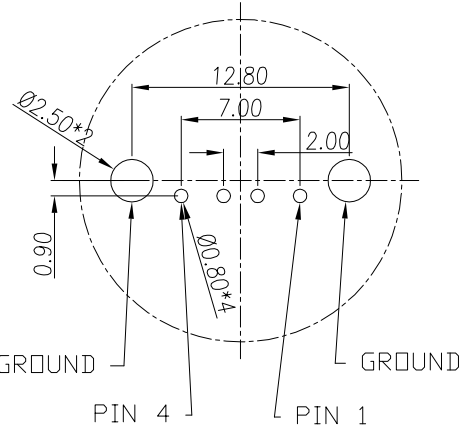
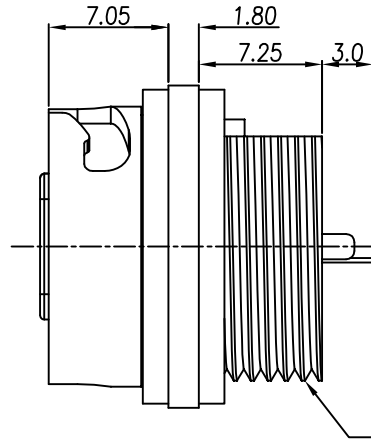
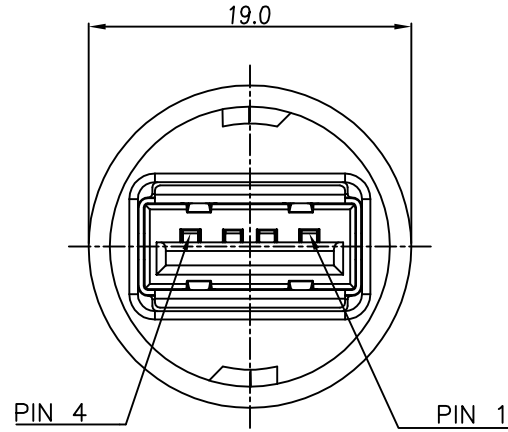


This document is the property of Nian-Yeong Corporation and is delivered on the express condition that it is not to be disclosed, reproduced or used, in whole or in part, for manufacture or sale by anyone other than Nian-Yeong Corporation without its prior consent, and that no right is granted to disclose or to use any information in this document.

CUSTOMER DRAWING

REV.	DESCRIPTION	APPROVED BY	DATE	ECN NO.
A	RELEASE	Yeh Chou	2016/06/02	
B				
C				



1. MATERIAL :
- 1-1. HOUSING : PBT UL94V-0 ; COLOR : BLACK
 - 1-2. CONTACT : PHOSPHOR BRONZE
 - 1-3. SHELL : BRASS
 - 1-4. O-RING A : SILICON ; COLOR : ORANGE
 - 1-4. O-RING B : SILICON ; COLOR : ORANGE
 - 1-5. NUT : PBT

2. FINISH :
- 2-1. CONTACT : GOLD FLASH
 - SOLDER AREA : TIN 100u".
 - UNDER PLATE : NICKEL
 - 2-2. SHELL : NICKEL

DRAWN	Ren Liao	APP'D	Fido Weng	UNIT	mm	TOLERANCE		TITLE	防水 USB A(F)後鎖焊線式 M16x1.0	SHEET		
CHK'D	Emily Suen			SCALE	1:1	.x ±0.20 .xx ±0.10 .xxx ±0.05 .xxxx ±0.03 ANGULA ±1°		PART NO.	US-04F3-28-11	DWG NO.		QC7528

NIAN YEONG ENTERPRISE
年永實業有限公司