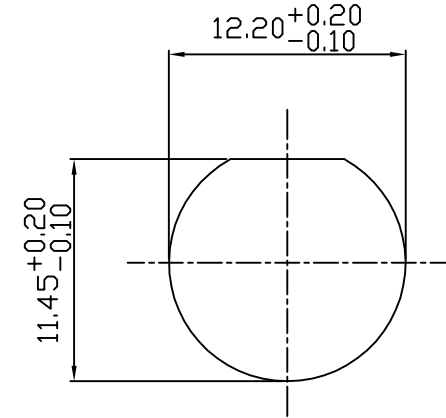
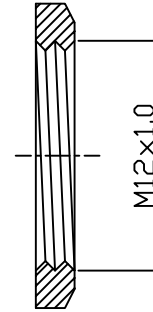
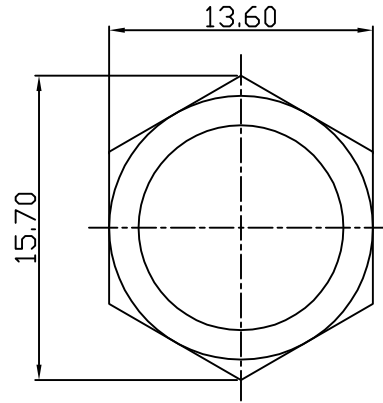
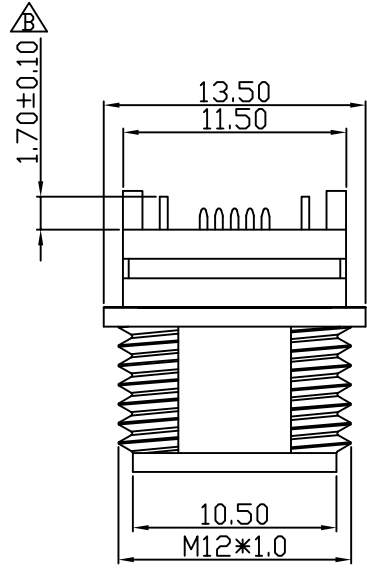


This document is the property of Nian-Yeong Corporation and is delivered on the express condition that it is not to be disclosed, reproduced or used, in whole or in part, for manufacture or sale by anyone other than Nian-Yeong Corporation without its prior consent, and that no right is granted to disclose or to use any information in this document.

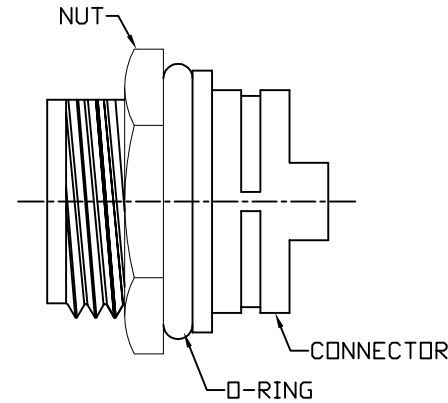
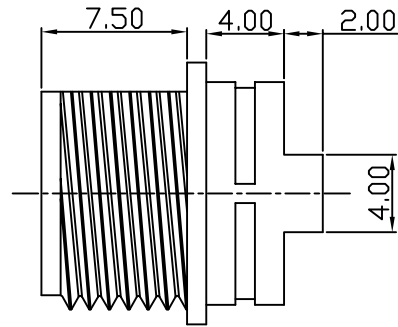
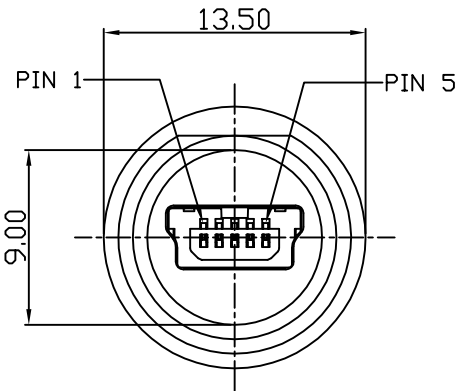
CUSTOMER DRAWING

REV.	DESCRIPTION	APPROVED BY	DATE	ECN NO.
A	RELEASE	Fido Weng	22/11/10*	
B	MODIFY DIM.	Yeh Chou	29/05/20*	
C				



NUT

PUT OUT



1. MATERIAL :
 - 1-1 . HOUSING : LCP UL94V-0 ; COLOR : BLACK
 - 1-2 . CONTACT : PHOSPHOR BRONZE
 - 1-3 . SHELL : BRASS
2. PARTS
 - 2-1 . EXTERNAL NUT : PBT UL94V-0 ; COLOR : BLACK
 - 2-2 . O-RING : EPDM (1.5*9.5) ; COLOR : BLACK.
3. PLATING
 - 3-1 . CONTACT : GOLD PLATING ON CONTACT AREA
BRIGHT TIN ON SOLDER AREA
 - 3-2 . SHELL : NICKEL PLATING ON OVER ALL
4. ELECTRICAL SPECIFICATION :
 - 4-1 . Water proof: IP67/68
 - 4-2 . RATED CURRENT : 1A
 - 4-3 . RATED VOLTAGE : 30V

DRAWN	Yeh	APP'D	Emily Suen	UNIT	mm	TOLERANCE			TITLE MINI USB 5P(F) 防水 年永實業有限公司	PART NO. MU-05F1-08			SHEET
CHK'D	Emily Suen			SCALE	1:1	.x ±0.20 .xx ±0.10 .xxx ±0.05 .xxxx ±0.03 ANGULA ±1°				DWG NO. QC5102	VERSION B		