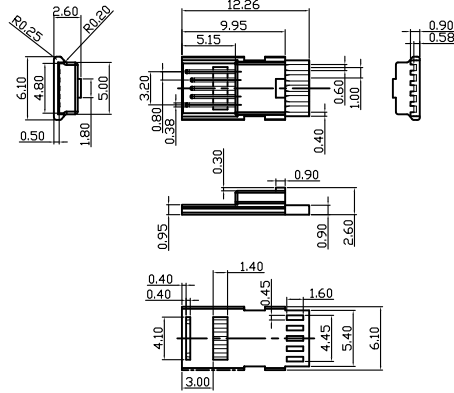


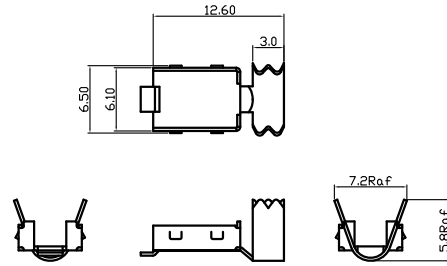
This document is the property of Nian-Yeong Corporation and is delivered on the express condition that it is not to be disclosed, reproduced or used, in whole or in part, for manufacture or sale by anyone other than Nian-Yeong Corporation without its prior consent, and that no right is granted to disclose or to use any information in this document.

CUSTOMER DRAWING

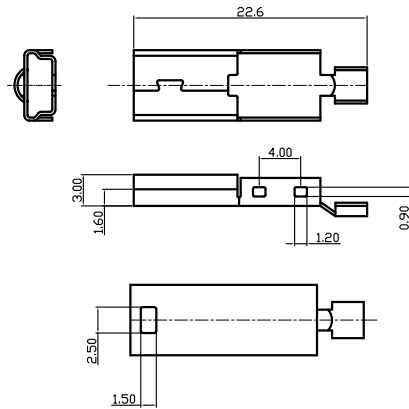
REV.	DESCRIPTION	APPROVED BY	DATE	ECN NO.
F	CHANGE DIM & MATERIAL	Fido Weng	26/06/09'	ECN09103
G	MODIFY CONTACT MATERIAL & DIM.	Fido Weng	19/08/10'	ECN10078
H	變更電線規格	KU	30/10/17'	ECN-17011



MiniUSB 5P(M) 膠芯+端子

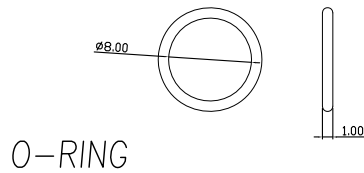


MiniUSB 5P(M) 成型上蓋

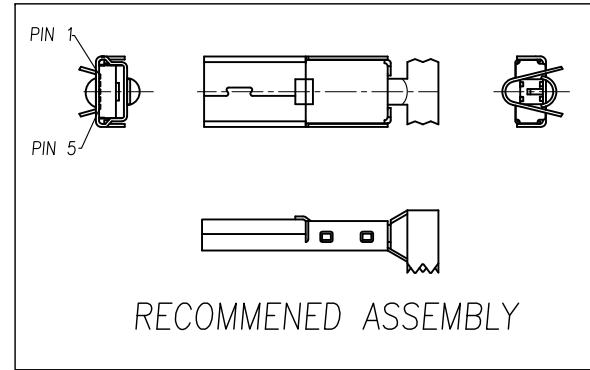


防水MiniUSB 螺母

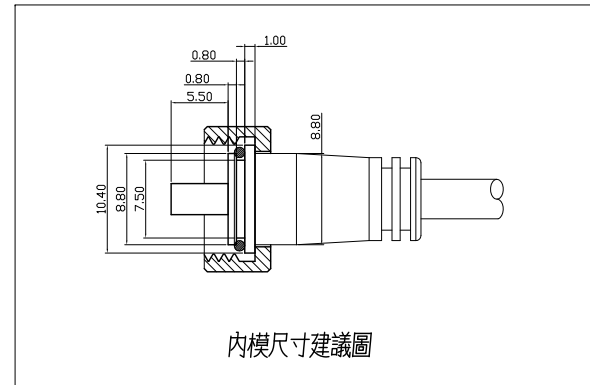
MiniUSB 5P(M) 成型下蓋



O-RING



RECOMMENED ASSEMBLY



內模尺寸建議圖

- MATERIAL :
 - 1-1. HOUSING : PBT UL94V-0 ; COLOR : BLACK
 - 1-2. CONTACT : BRASS
 - 1-3. SHELL UP : SPCC
 - 1-4. SHELL DOWN : SPCC
 - 1-5. NUT : PBT UL94V-0
 - 1-6. O-RING : NBR (1*8) ; COLOR : BLACK.
- FINISH :
 - 2-1. CONTACT AREA : GOLD FLASH
 - SOLDER AREA : BRIGHT TIN

- 2-2. SHELL UP : NICKEL
- 2-3. SHELL DOWN : NICKEL
- ELECTRICAL SPECIFICATION :
 - 3-1. Rated current : 1A
 - 3-2. Rated voltage : 30V
 - 3-3. Water proof : IPX7
- Environmental :
 - 4-1. Operation Temperature : -20℃~85℃

DRAWN	Jen Xie	APP'D	Fido Weng	UNIT	mm	TOLERANCE		TITLE	MINI USB 5PIN(M) 防水			SHEET
CHK'D	Emily Suen			SCALE	1:1	.x ±0.20 .xx ±0.10 .xxx ±0.05 .xxxx ±0.03 ANGULA ±1°		PART NO.	MU-05M1-30	DWG NO.	QC5564	VERSION H

NIAN YEONG ENTERPRISE
年永實業有限公司