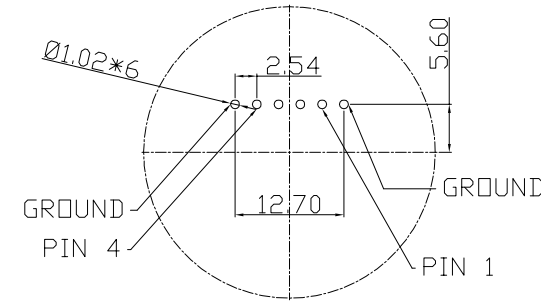
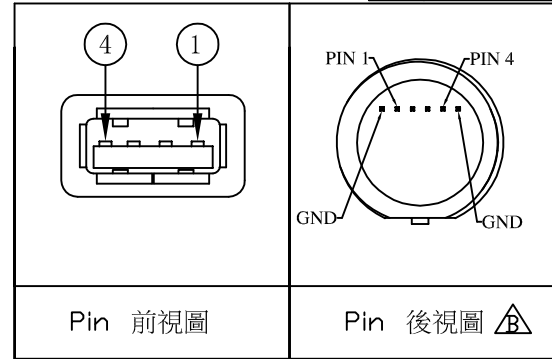
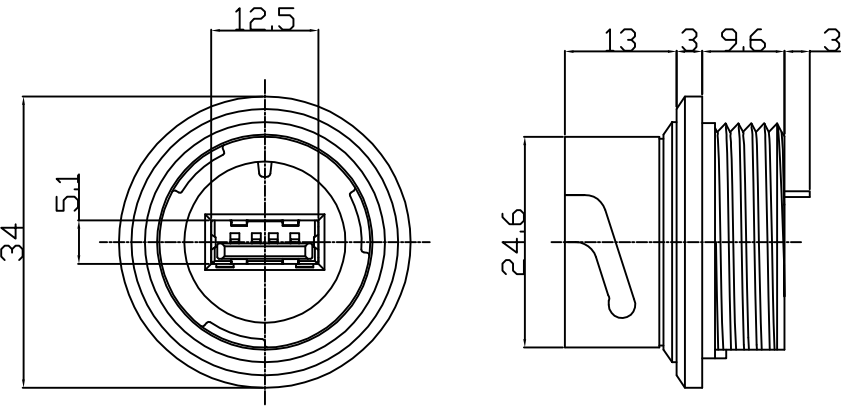


This document is the property of Nian-Yeong Corporation and is delivered on the express condition that it is not to be disclosed, reproduced or used, in whole or in part, for manufacture or sale by anyone other than Nian-Yeong Corporation without its prior consent, and that no right is granted to disclose or to use any information in this document.

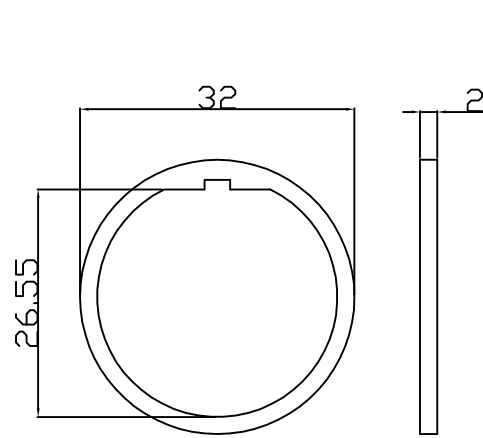
CUSTOMER DRAWING

REV.	DESCRIPTION	APPROVED BY	DATE	ECN NO.
A	RELEASE	Fido Weng	08/03/10*	
B	修正圖	Ku Chou	18/09/19*	
C				

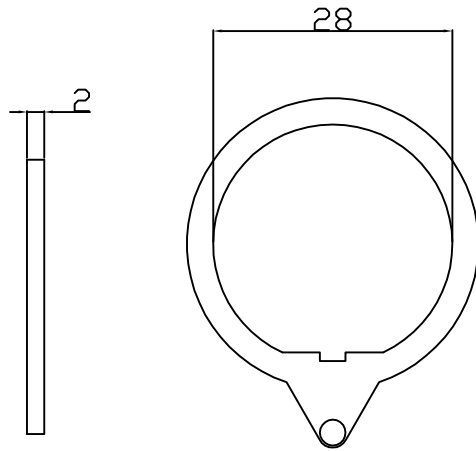


MATERIAL :

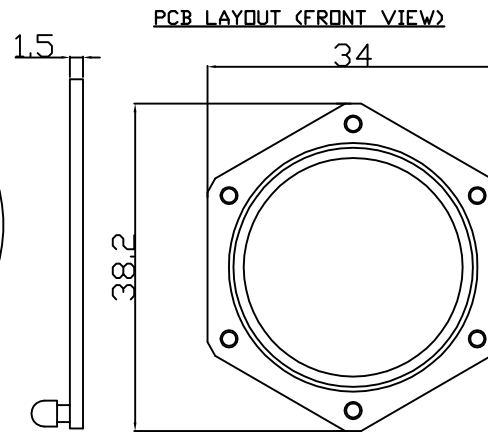
- USB CONN :
 - 1-1 . HOUSING : PBT UL94V-0 ; COLOR : BLACK
 - 1-2 . CONTACT : PHOSPHOR BRONZE
 - 1-3 . SHELL : BRASS
 - 1-4 . PIN HEADER : BRASS
- PARTS :
 - 2-1 . EXTERNAL HOUSING : PBT UL94V-0 ; COLOR : BLACK
 - 2-2 . NUT : PBT UL94V-0 ; COLOR : BLACK
 - 2-3 . WASHER : PBT UL94V-0 ; COLOR : BLACK
 - 2-4 . O-RING : SILICONE
- PLATING :
 - 3-1 . CONTACT : GOLD PALTED ON CONTACT AERA
BRIGHT TIN ON SOLDER AERA
 - 3-2 . SHELL : NICKEL PLATED ON OVER ALL
 - 3-3 . PIN HEADER : GOLD PALTED
- ELECTRICAL SPECIFICATION :
 - 4-1 . RATED CURRENT : 1.5A
 - 4-2 . RATED VOLTAGE : 30V
 - 4-3 . WATER PROOF : IP67
- ENVIRONMENTAL :
 - 5-1 . DURABILITY : 1500 CYCLES
MATTE FORCE : 35N (3.57kgf) MAX
UNMATTE FORCE : 10 N min. initial
 - 5-2 . OPERATION TEMPERATURE : -20℃~85℃



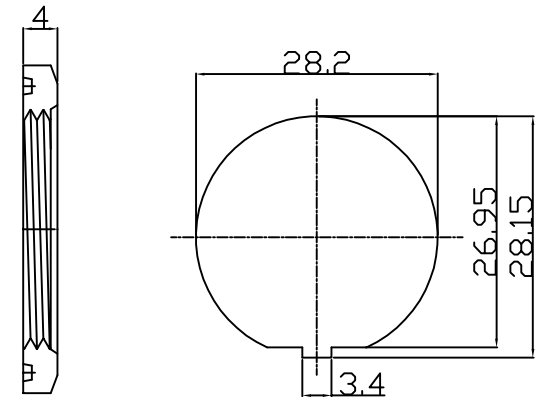
O-RING



WASHER



NUT



PANEL CUT-OUT

DRAWN	Mark Kao	APPEND	Ku Chou	UNIT	mm	TOLERANCE		TITLE	防水USB(F)鎖板式(後鎖)			SHEET	
CHOKED	Emily Suen			SCALE	1:1	.x ±0.20 .xx ±0.10 .xxx ±0.05 .xxxx ±0.03 ANGULA ±1°		PART NO.	US-04F3-25	DWG NO.	QC5534	VERSION	

NIAN YEONG ENTERPRISE
年永實業有限公司