

This document is the property of Nian-Yeong Corporation and is delivered on the express condition that it is not to be disclosed, reproduced or used, in whole or in part, for manufacture or sale by anyone other than Nian-Yeong Corporation without its prior consent, and that no right is granted to disclose or to use any information in this document.

CUSTOMER DRAWING

REV.	DESCRIPTION	APPVL. BY	DATE	ECN NO.
A	RELEASE	Fido	19/03/12*	
B				
C				

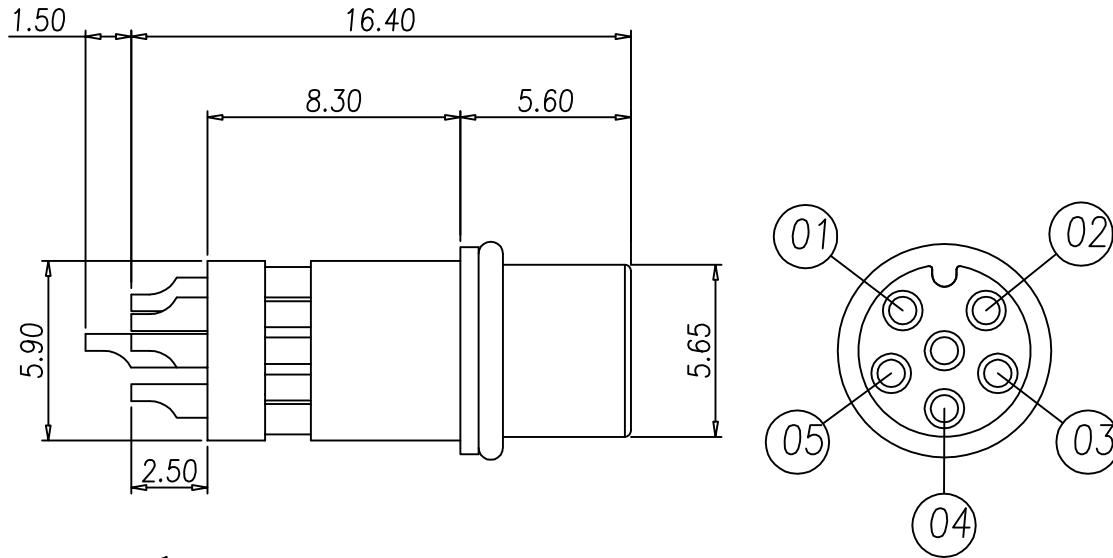
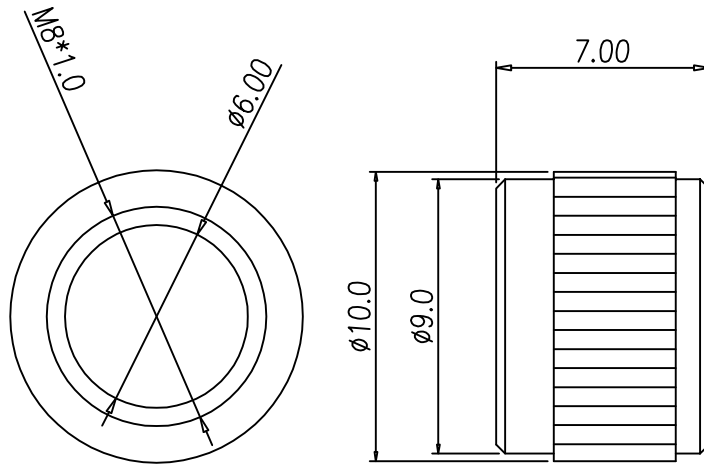


TABLE A

WP-06F2-37-11	WP-05F2-104-11

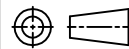


NUT

NOTE

- MATERIAL :
 - HOUSING : PA66 UL94V-0 ; COLOR : BLACK
 - CONTACT : BRASS.
 - NUT : BRASS
 - O-RING : NBR
- FINISH :
 - CONTACT : GOLD FLASH.
 - NUT : NICKEL PLATED.
- ELECTRICAL SPECIFICATION :
 - Rated current : 2A
 - Rated Voltage : 30V
 - Water proof : IP67
- Environmental :
 - Operation Temperature : -40°C~105°C

DRAWN	Mark Kao	APP'D	Ku Chou	UNIT	mm	TOLERANCE
CHK'D	Emily Suen			SCALE	1:1	.x ±0.20 .xx ±0.10 .xxx ±0.05 .xxxx ±0.03 ANGULA ±1°



NIAN YEONG ENTERPRISE
年永實業有限公司

TITLE	M8 (F) 線端焊線式(梅花型92°)			SHEET	
PART NO.	SEE TABLE A	DWG NO.	QC7394	VERSION	A