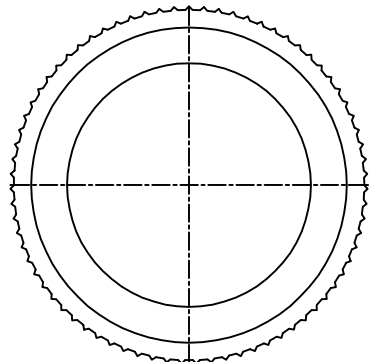
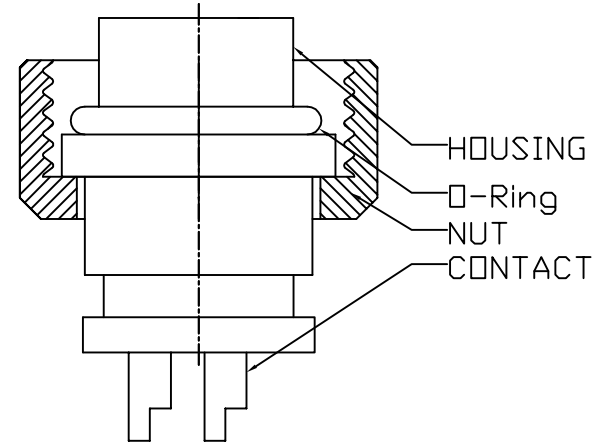
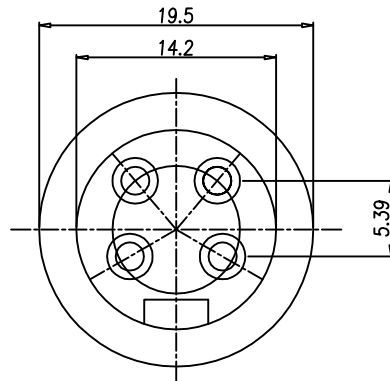
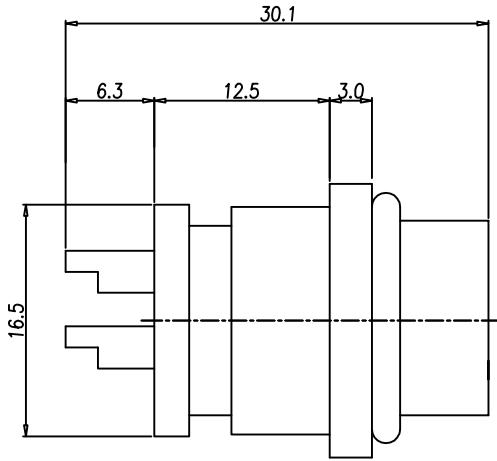


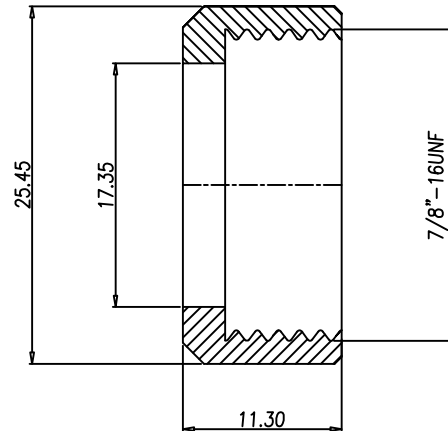
This document is the property of Nian-Yeong Corporation and is delivered on the express condition that it is not to be disclosed, reproduced or used, in whole or in part, for manufacture or sale by anyone other than Nian-Yeong Corporation without its prior consent, and that no right is granted to disclose or to use any information in this document.

CUSTOMER DRAWING

| REV. | DESCRIPTION | APPROVED BY | DATE | ECN NO. |
|------|-------------|-------------|-----------|---------|
| A | RELEASE | Fido Weng | 27/10/09* | |
| B | | | | |
| C | | | | |



NUT



- MATERIAL :
 - HOUSING : PBT UL94V-0 ; COLOR : YELLOW
 - CONTACT : BRASS
 - NUT : BRASS
 - O-RING :NBR; COLOR : BLACK
 - SPRING : PHOSPHOR BRONZE.
- FINISH :
 - CONTACT : SEE TABLE A
 - NUT : NICKEL PLATED OVER ALL
 - SPRING : MATTE TIN PLATED OVER ALL
- ELECTRICAL SPECIFICATION :
 - Rated current : 20A
 - Rated voltage :250V
 - Water proof: IPX7
- Environmental :
 - Operation Temperature : -20 ℃~85℃

TABLE A

| | |
|----------------|------------|
| WP-04F2-285-11 | GOLD FLASH |
| WP-04F2-46 | GOLD 30u" |
| PART NO | FINISH |

| | | | | | | | | | | | | | | |
|-------|------------|-------|-----------|-------|-----|------------------------------------------------------------------|--|--|----------|----------------------|---------|--------|---------|--|
| DRAWN | Ku Chou | APP'D | Fido Weng | UNIT | mm | TOLERANCE | | | TITLE | 防水頭7/8 4PIN(F)杯口線端 | | | SHEET | |
| CHK'D | Emily Suen | | | SCALE | 1:1 | .x ±0.25 .xx ±0.20 .xxx ±0.10 .xxxx ±0.03 ANGULA ±1° | | | PART NO. | SEE TABLE A | DWG NO. | QC4465 | VERSION | |

NIAN YEONG ENTERPRISE
年永實業有限公司