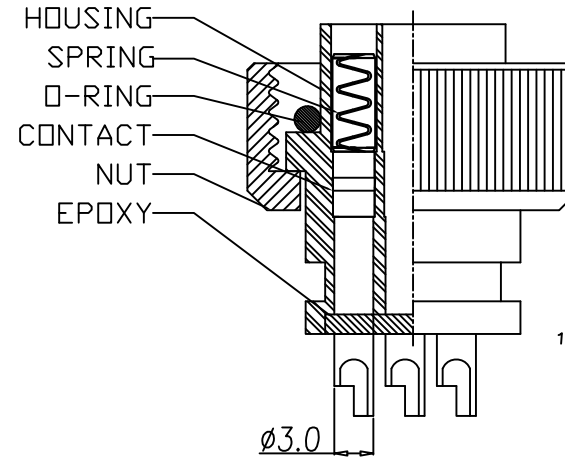
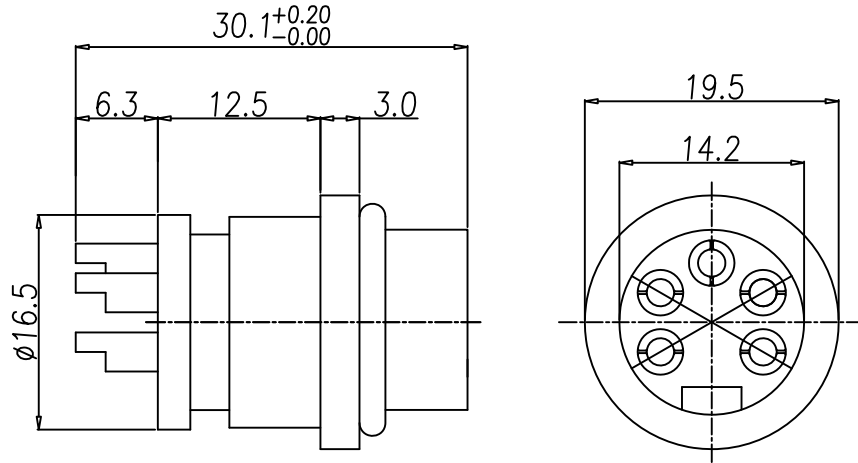


This document is the property of Nian-Yeong Corporation and is delivered on the express condition that it is not to be disclosed, reproduced or used, in whole or in part, for manufacture or sale by anyone other than Nian-Yeong Corporation without its prior consent, and that no right is granted to disclose or to use any information in this document.

CUSTOMER DRAWING

REV.	DESCRIPTION	APPROVED BY	DATE	ECN NO.
A	RELEASE	Fido Weng	18/05/09*	
B				
C				



- MATERIAL :
 - 1-1. HOUSING : PBT UL94V-0 ; COLOR : YELLOW
 - 1-2. CONTACT : BRASS
 - 1-3. SPRING : PHOSPHOR BRONZE
 - 1-4. NUT : BRASS
 - 1-5. O-RING : NBR
- FINISH :
 - 2-1. CONTACT : SEE TABLE A
UNDER PLATE : NICKEL
 - 2-2. SPRING : MATTE TIN PLATED
 - 2-3. NUT : NICKEL PLATED
- ELECTRICAL SPECIFICATION :
 - 3-1. Rated current : 20A
 - 3-2. Rated voltage : 250V
 - 3-3. Water proof : IP68
- Environmental :
 - 4-1. Operation Temperature : -20°C~85°C

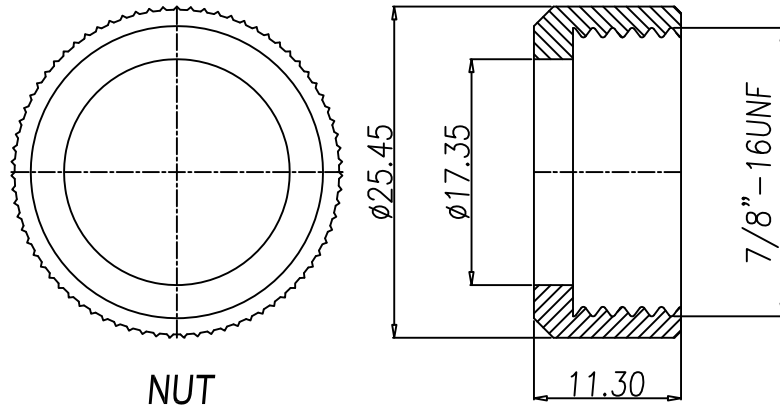


TABLE A

	3PIN	3PIN	4PIN	5PIN
	WP-03F2-32	WP-03F2-14 WP-03F2-80-11	WP-04F2-46 WP-04F2-285-11	WP-05F2-21 WP-05F2-206-11
WP-03F2-32	30u" GOLD PLATED			
WP-05F2-21	30u" GOLD PLATED	WP-05F2-206-11	GOLD FLASH PLATED	
WP-04F2-46	30u" GOLD PLATED	WP-04F2-285-11	GOLD FLASH PLATED	
WP-03F2-14	30u" GOLD PLATED	WP-03F2-80-11	GOLD FLASH PLATED	
PART No.	FINISH	PART No.	FINISH	

DRAWN	Mark Kao	APP'D	Ku Chou	UNIT	mm	TOLERANCE				TITLE	防水頭 7/8" (F) 焊線成型式			SHEET	1
CHK'D	Emily Suen	SCALE	1:1	.x ±0.25 .xx ±0.20 .xxx ±0.10 .xxxx ±0.03 ANGULA ±1°	ANGULA	±1°				PART NO.	SEE TABLE A	DWG NO.	QC2813	VERSION	A