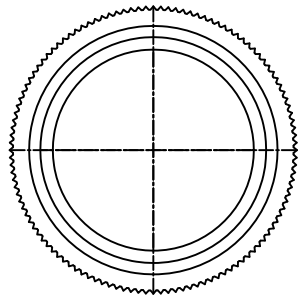
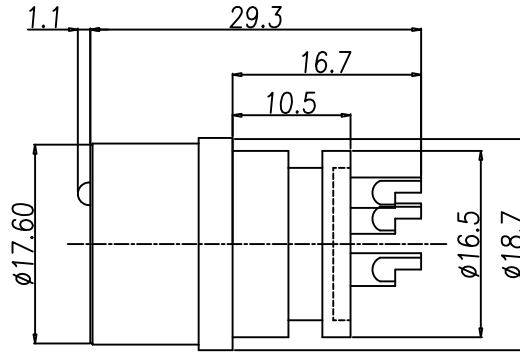
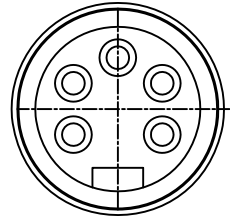


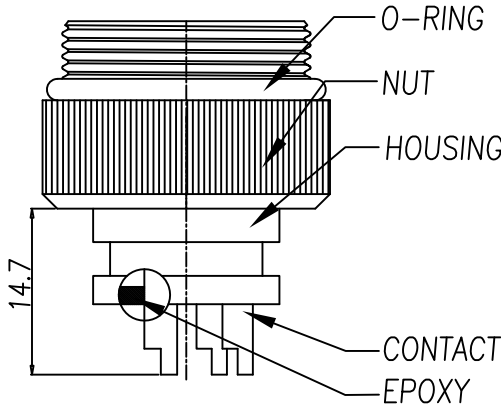
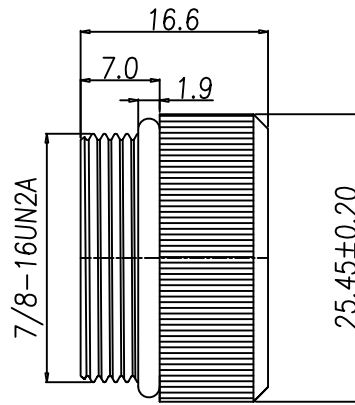
This document is the property of Nian-Yeong Corporation and is delivered on the express condition that it is not to be disclosed, reproduced or used, in whole or in part, for manufacture or sale by anyone other than Nian-Yeong Corporation without its prior consent, and that no right is granted to disclose or to use any information in this document.

CUSTOMER DRAWING

REV.	DESCRIPTION	APPROVED BY	DATE	ECN NO.
A	RELEASE	Fido Weng	22/12/08*	
B				
C				



NUT

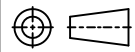


- MATERIAL :
 - HOUSING : PBT UL94V-0 ; COLOR : YELLOW
 - CONTACT : BRASS
 - NUT : BRASS
 - O-RING : NBR ; COLOR : BLACK
- FINISH :
 - CONTACT : SEE TABLE A
UNDER PLATE : NICKEL
 - NUT : NICKEL PLATED
- ELECTRICAL SPECIFICATION :
 - Rated current : 20A
 - Rated voltage : 250V
 - Water proof : IP68
- Environmental :
 - Operation Temperature : -20℃~85℃

TABLE A

3PIN		4PIN		5PIN	
WP-03M2-13	WP-03M2-71-11	WP-04M2-37	WP-04M2-233-11	WP-05M2-17	WP-05M2-186-11
WP-05M2-17	30u" GOLD PLATED	WP-05M2-186-11	GOLD FLASH PLATED		
WP-04M2-37	30u" GOLD PLATED	WP-04M2-233-11	GOLD FLASH PLATED		
WP-03M2-13	30u" GOLD PLATED	WP-03M2-71-11	GOLD FLASH PLATED		
PART No.	FINISH	PART No.	FINISH		

DRAWN	Mark Kao	APPEND	Ku Chou	UNIT	mm	TOLERANCE
CHOKED	Emily Suen			SCALE	1:1	.x ±0.20 .xx ±0.10 .xxx ±0.05 .xxxx ±0.03 ANGULA ±1°



NIAN YEONG ENTERPRISE
年永實業有限公司

TITLE	防水頭 (M) 杯口線端			SHEET	1/1
PART NO.	SEE TABLE A	DWG NO.	QC2807	VERSION	A